

Description

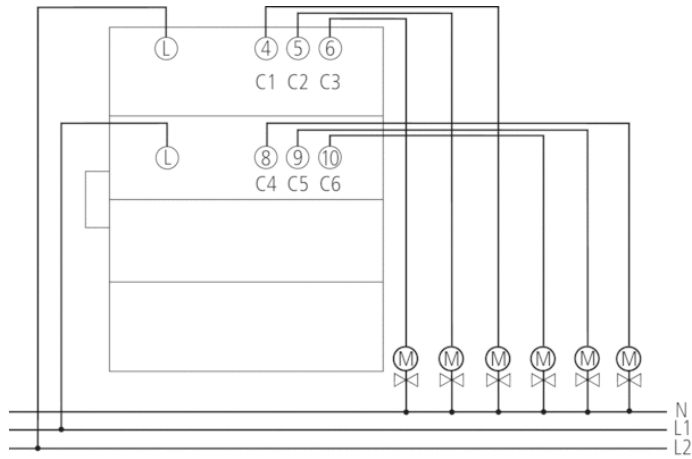


- 6-way heating actuator MIX2
- With 6 temperature controllers (P/PI) for heating and cooling
- Extension module MIX2
- For upgrading to maximum of 18 channels
- For controlling 6 thermal actuators 24 V - 240 V AC in 2 groups with 3 outputs and 450 mA each
 - (Due to the switch-on behaviour of the actuators, we recommend not to exceed a maximum load of 3x1 actuators 24 V AC or 3x5 actuators 230 V AC)
- Short-circuit-proof and overcharge protected
- Continuous or switching actuating value selectable
- Valve protection function can be deactivated
- With the modes: comfort, standby, night as well as frost/heating protection
- Changeover to summer mode possible
- Up to two extension modules MIX or MIX2 can be connected to one base module
- Device and KNX bus module can be swapped independently of each other
- Removable KNX bus module enables devices to be changed without reprogramming
- Manual set-up and use of actuator is possible without KNX bus module
- LED switching status display for each channel
- Manual operation on device (even without bus connection)

Technical data

Width	4 modules
Installation type	DIN rail
Number of channels	6
Type of connection	Screw terminals
Max. cable cross section	Solid wire: 0.5 mm ² (Ø 0.8) to 4 mm ² Stranded wire with end sleeve: 0.5 mm ² to 2.5 mm ²
Switching output	Not potential-free
Output	Triac, 0,45 A
Voltage output	24 V AC - 240 V AC
Frequency output	50 – 60 Hz
Suitable for SELV	Yes if all channels switch at SELV
Switching of various phases	Possible
Ambient temperature	-5 °C ... +45 °C
Type of protection	IP 20
Protection class	II according to EN 60 669

Connection example



Scale drawings

